



Tanco Autowrap 580
Spare parts list



580 S & 580-A
PARTS LIST
WD66-580-M0106



SPARE PARTS LIST

We recommend that when you need spare parts, you should use only original parts.

When ordering spare Parts use the following:

- Drawings are marked with a position number.
- On the accompanying table you will find the position number, its equivalent part number and description. The entire part number and description must always be relayed on ordering.
- **IMPORTANT!**
When ordering always give the serial number on the wrapping machine and specify the Model of Machine.
- We ask that you fax your parts order to your Tanco dealer, to ensure quick delivery



TABLE OF CONTENTS

	<u>Page:</u>
1. Hydraulics	
1.1 Hydraulic Valve	
1.1.1. 580S Exploded View	4
1.1.2 580A Exploded View	5
1.1.3 Part List	6
1.2. Hydraulic Components	
1.2.1. 580S Exploded View	7
1.2.2. Part List	8, 9
1.2.3 580A Exploded View	10
1.2.4 Part List	11
1.3 Valve and Cover Plate Assembly	
1.3.1 580S Exploded View and Parts List	12
1.3.2 580A Exploded View and Parts List	13
2. Main Assembly	
2.1 Main Assembly Exploded View and Part List	14
2.2.1 Chassis Exploded View	15
2.2.2 Part List	16
2.3.1 Tipping Frame	17
2.3.2 Part List	18
2.4.1. Turntable Drive Assembly Exploded View	19
2.4.2. Part List	20
3. Load Arm Assembly	
3.1. Load Arm Exploded View	21
3.2. Part List	22
4. Cut and Start Assembly	
4.1. Exploded View	23
4.2. Part List	24
5. Bale Ramp	
5.1.1. Hydraulic Bale Ramp Exploded View (Standard)	25
5.1.2 Part List	26
5.2.1 End Tip Ramp Exploded View (Optional)	27
5.2.2. Part List	28
6. Lighting	
6.1. Exploded View and Parts List	29
7. Film Dispenser	
7.1.1. Dispenser Mast Assembly Exploded View and Part List	30
7.1.2 Part List	31
7.2.1 Dispenser Insert Assembly Exploded View	32
7.2.2 Part List	33
8. Controller	
8.1 Sensors and Mounting Brackets Exploded View and Parts List	34
8.2.1 580S Bale Wrap Controller Exploded View and Parts List	35
8.2.2 580S Junction Box	36
8.3.1 580A Controller Exploded View and Parts List	37
8.3.2 580A junction Box	38



Tanco Autowrap 580
Spare parts list

1.1.1 580S VALVE

Flow Control complete:
Part No. 1208008

Lift ARM Spool
Tip Spool:
Part No. 1208007

Motor Spool:
Part No. 1208006

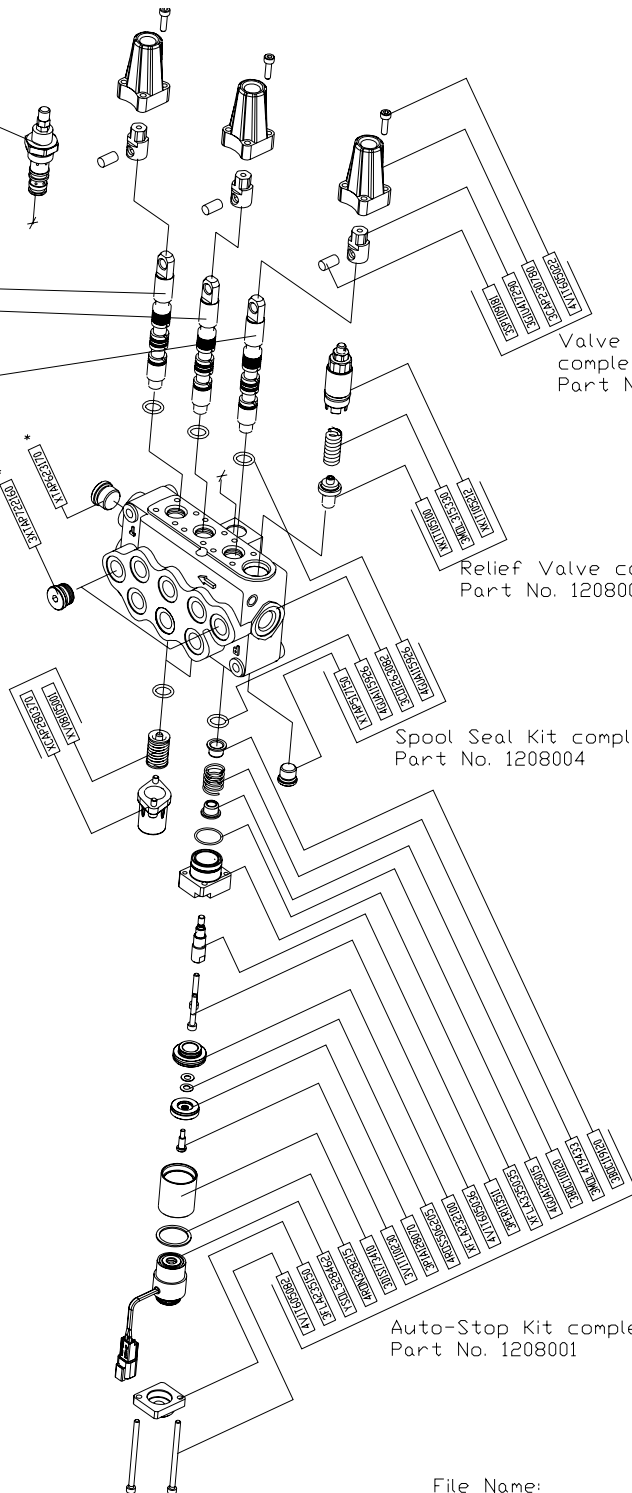
Valve Coupling Kit
complete:
Part No. Z003-580-

Relief Valve complete:
Part No. 1208005

Spool End Kit complete:
Part No. 1208003

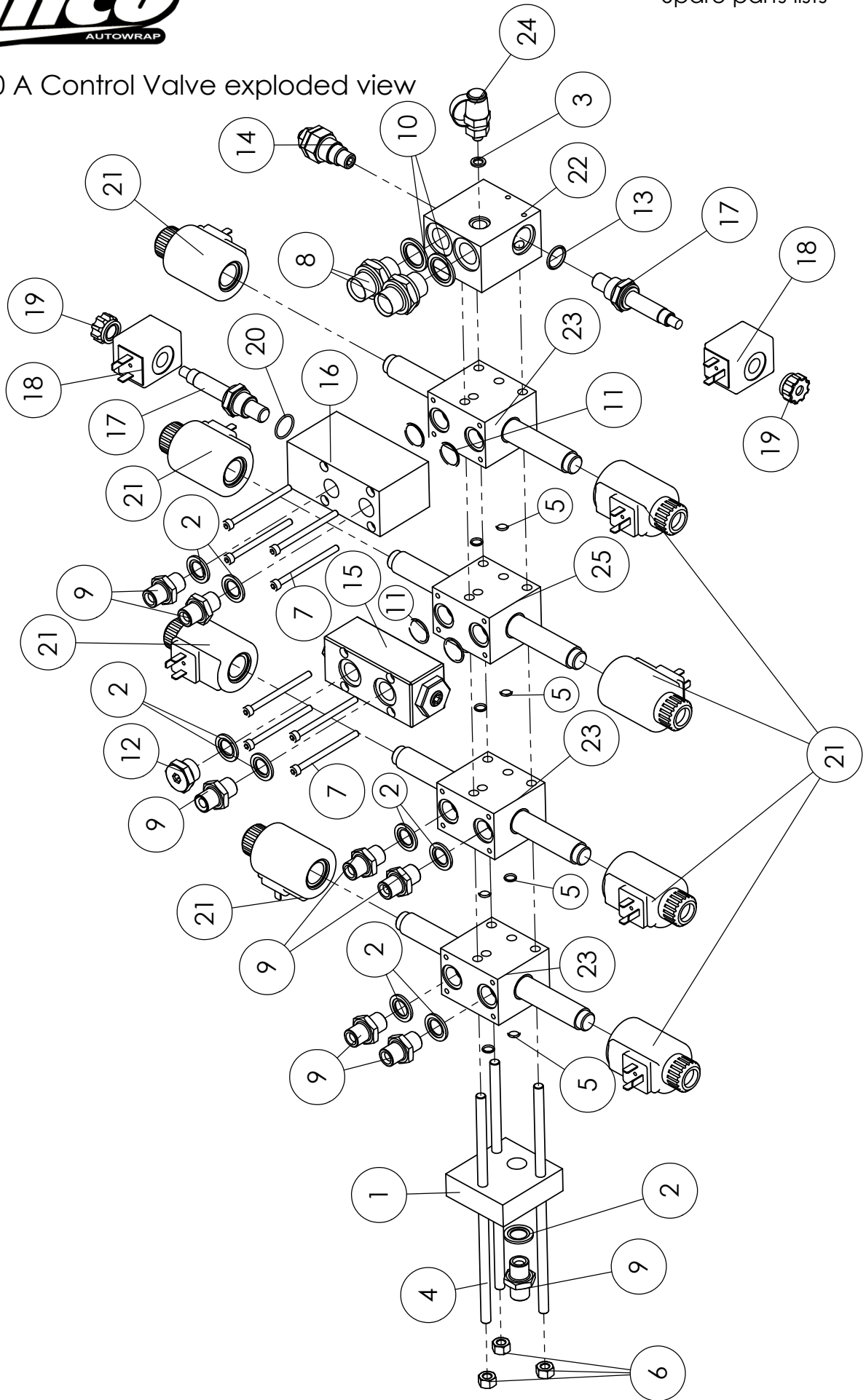
Spool Seal Kit complete:
Part No. 1208004

Auto-Stop Kit complete:
Part No. 1208001



File Name:
580S valve exploded 2

1.2.2 580 A Control Valve exploded view

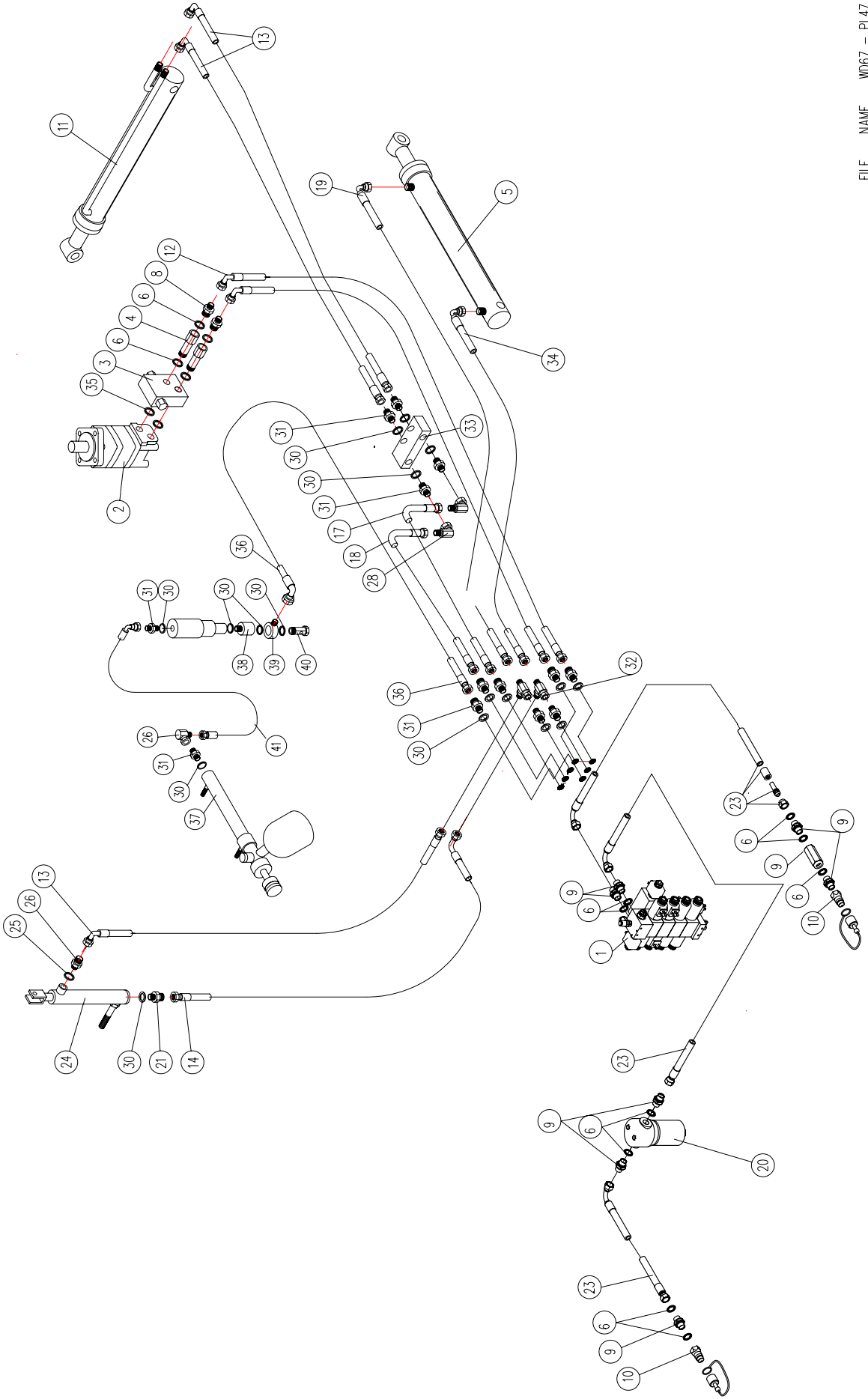




1.1.3 580 A Control Valve part list

ITEM NO.	PartNo	DESCRIPTION	QTY.
1	1308706	End Plate	1
2	Z01-04-02	3/8" BSP Dowty Washer	10
3	1308714	Entry & Control Block Seal Kit	1
4	1308173	Tie Rod	3
5	1308714	Entry & Control Block Seal Kit	8
6	34230400	M8 Nut	3
7	1308715	M5 x 60mm Socket Head Bolt	8
8	Z01-06-08-08	1/2" x 1/2" Adaptor	2
9	Z01-06-06-06	3/8" x 3/8" Adaptor	8
10	Z01-04-03	1/2" BSP Dowty Washer	2
11	1308714	Entry & Control Block Seal Kit	4
12	Z01-06-MB08	1/2" Male Blank	1
13	1308714	19mm O- ring	1
14	1308732	Pressure Relief Valve	1
15	1308733	Single check valve	1
16	1208301	2 Speed Valve Block complete	1
17	1508002	2 Speed Valve	2
18	1308202	Solenoid	2
19	1508002	nut for magnet (c/w 21)	2
20	1308714	O-ring 20mm	1
21	34087521	Solenoid	8
22	1308730	Entry Block complete	1
23	1308702	2 Dir. Spool Valve (c/w Solenoid) (cc)	3
24	1308710	1/4" Test Point	1
25	1308704	2 Dir. Spool Valve (c/w Solenoid) (OC)	1

TANCO AUTOWRAP 580 A MODEL
HYDRAULIC COMPONENTS





1.2.2 HYDRAULIC COMPONENTS

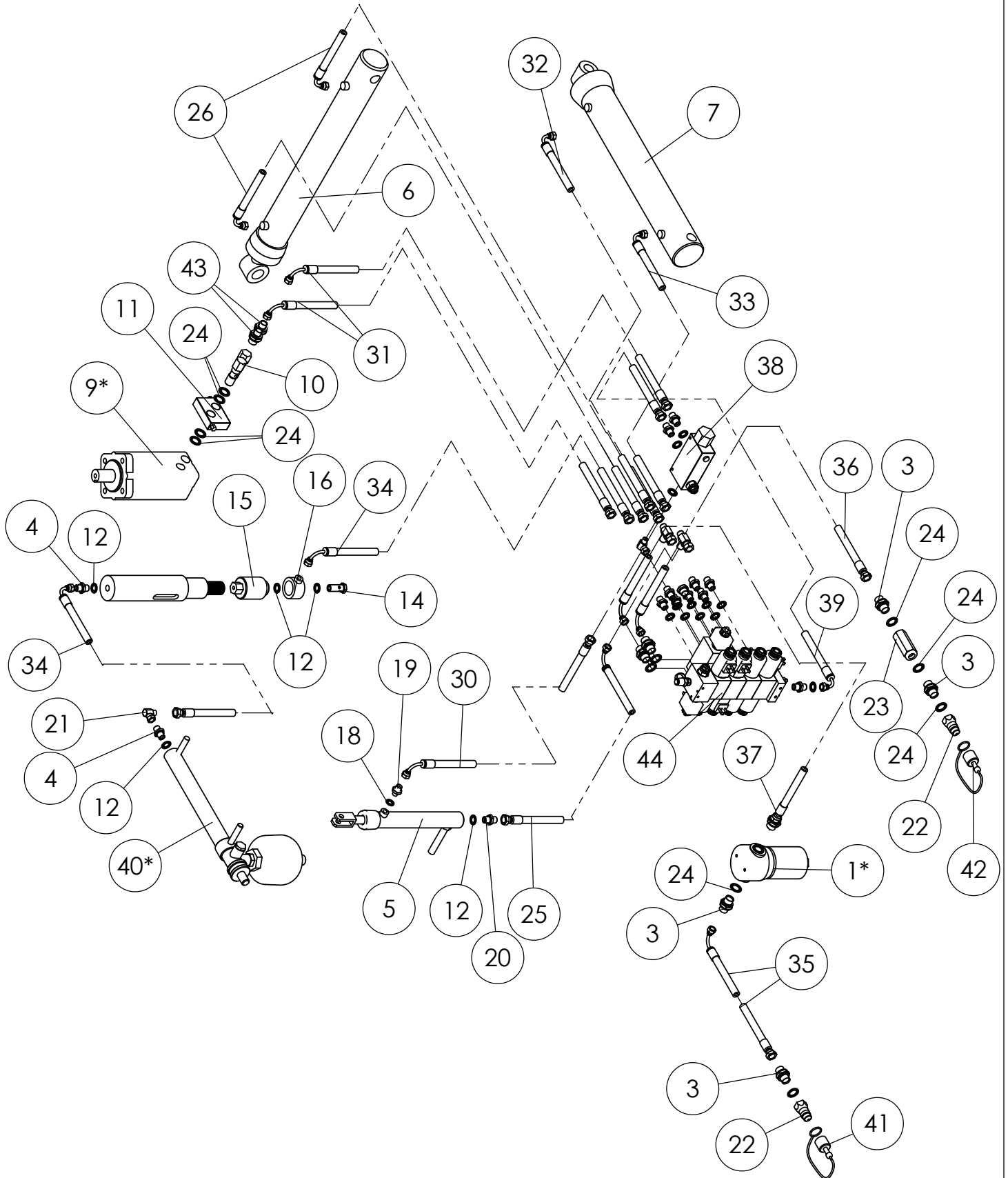
ITEM No.	DESCRIPTION	QTY	PART No.
1.	3 Bank Spool Valve (Walvoil)	1	Z01-03-A580
2.	Hydraulic Motor	1	Z01-02-RF200
2A.	Seal Kit for above Hydraulic Motor	1	Z01-RF200
3.	Cross line Relief Valve	1	Z01-03-004
3A.	Seal Kit for above Cross Line Relief Valve	1	Z01-03-004-RF
4.	½” BSP Bottom Banjo Bolt	2	Z01-03-002B
5.	Copper Washer	2	Z01-04-15
6.	Hydraulic Ram (Tipping Frame)	1	Z01-01AR687
6A.	Seal Kit for above ram	1	Z01-Z01
7.	½” Dowty Washer	14	Z01-04-03
8.	½” Non Return Valve	1	Z01-03-017
9.	½” x 3/8” Adaptor	10	Z01-06-06-08
10.	½” x ½” Adaptor	2	Z01-06-08-08
11.	½” Male Q/R Coupling	2	Z01-15-081
12.	Hydraulic Ram (Lift Arm)	1	Z01-01-AW1070
12A.	Seal Kit for above ram	1	Z01-Y01
13.	108” St./ 90 3/8” D/W Hose	4	Z38-R2-108-S9
14.	72” St. / 90 3/8” D/W Hose	1	Z38-R2-72-S9
15.	48” St. / 90 3/8” D/W Hose	1	Z38-R2-48-S9
16.	108” St. / 90 1/2” D/W Hose	1	Z12-R2-108-S9
17.	84” St. / 90 3/8” D/W Hose	3	Z38-R2-82-S9
18.	60” St. / 90 3/8” D/W Hose	2	Z38-R2-60-S9
19.	12” St. / 90 3/8” D/W Hose	2	Z38-R2-12-S9
20.	Actuator mounting Bracket (Lower)	1	WD66-AML
21.	Actuator mounting Bracket (Upper)	1	WD67-AMU
22.	M10 Locknut	2	Z23-10
23.	M10 x 40 Hex. Set	2	Z26-064S
24.	M12 x 40 Hex Set	1	Z26-084S
25.	M12 Hex Nut	1	Z18-12
26.	3/8” Male x 3/8” Female 90 Elbow	6	Z01-14-015
27.	Rotary Coupling	1	Z01-02-AWR
28.	Sticker Mounting Plate	1	WD60-794
29.	30” St. / 90 3/8” D/W Hose	2	Z38-R2-30-S9
30.	3/8” Female x 3/8” Male / Male “T” Piece	2	Z01-12-002
31.	Hydraulic Ram (Pull Down)	1	Z01-01-AW25
31A.	Seal Kit for above Hydraulic Ram	1	Z01-AW25
32.	3/8” Dowty Washer	16	Z01-04-02
33.	3/8” x 3/8” Adaptor with .006” Restrictor	1	Z01-03-40
34.	¼” Dowty Washer	1	Z01-04-01
35.	¼” x 3/8” Adaptor	1	Z01-06-04-06



1.2.2 HYDRAULIC COMPONENTS continued

ITEM No.	DESCRIPTION	QTY	PART No.
36.	C&S diverter valve complete	1	1208100
36b.	C&S valve body	1	1208103
37.	Dump valve cartridge	1	1208102
37b	12 V coil for dump valve	1	1308202
37c	Plastic nut for coil	1	1308205
38.	Cetop diveter valve	1	1208101
38b.	12 V coil for cetop valve	1	34087321
38c.	Plastic nut for coil	1	1308220
39.	3/8" Banjo Coupling	1	Z01-19-062
40.	3/8" Single top Banjo Bolt	1	Z01-20-062
41.	3/8" Male / Female Adaptor	2	Z01-05-06-06
42.	3/8" Male / Male Adaptor	10	Z01-06-06-06
43.	Hydraulic Ram (Cut & Start)	1	Z01-01-AWH9
43A.	Seal kit for above Hydraulic Ram	1	Z01-AWH
43B.	Accumulator fitted to above Ram	1	Z01-01-AWDA
44.	1/2" Female x 3/8" Male Adaptor	1	Z01-05-06-08
45.	3/8" Female / Female Adaptor	1	Z01-05-F6-F6
46.	1/2" Female x 1/2" Male/Male "T" Piece	1	Z01-12-003
47.	3/8" x 3/8" Adaptor with 2mm Restrictor	1	Z01-03-395
48.	Actuator Couple Kit	3	Z003-580-004
49.	Valve Couple Kit	3	Z003-580-005
50.	CG 4000 Cables	3	Z003-580-4000
51.	Std. Handle	1	Z003-580-007
52.	Handle c/w Microswitch	1	Z003-580-008
53.	Joystick (complete)	1	Z003-580-009
54.	Walvoil Autostop Kit complete	1	Z003-580-010
55.	Actuator	1	Z003-580-011
56.	M8 x 35 Hex Bolt	2	Z26-042B
57.	M8 Locknut	2	Z23-008
58.	Side Bracket	2	Z003-580-012
59.	Tie Bolt	2	Z003-580-013
60.	M6 Locknut	4	Z23-06
61.	3/8" M/M adaptor long	1	Z01-06-06L
62.	Plastic nut for coil	1	1308220

580 Hydraulics exploded view





580 Hydraulics part list

ITEM NO.	PartNo	DESCRIPTION	QTY.
1*	1308070	Filter	1
2	Z01-06-MB08	1/2" Male Blank	1
3	Z01-06-08-08	1/2" x 1/2" Adaptor	7
4	Z01-06-06-06	3/8" x 3/8" Adaptor	10
5	Z01-01-AW25	Hydraulic Ram (pull down)	1
6	Z01-01-AW1070	Hydraulic Ram (Lift Arm)	1
7	Z01-01-AR687	Tip Cylinder	1
9*	Z01-02-RF200	Hydraulic Motor	1
10	Z01-03-002B	1/2" BSP Bottom Banjo Bolt	2
11	Z01-03-004	Cross line Relief Valve	1
12	Z01-04-02	3/8" BSP Dowty Washer	17
13	Z01-06-MB08	1/2" Male Blank	1
14	Z01-20-062	Single Top Banjo Bolt	1
15	Z01-02-AWR	Rotary Coupling	1
16	Z01-19-062	3/8" Banjo Coupling	1
17	Z01-12-0022	Tee MMF 3/8"	2
18	Z01-04-01	1/4" BSP Dowty Washer	1
19	Z01-06-04-06	1/4" x 3/8" BSP Male/Male Adaptor	1
20	Z01-03-40	3/8" Adaptor with 0,006" Restrictor	1
21	Z01-14-015	3/8" Male/Female 90 Elbow	2
22	Z01-15-081	1/2" Male Q/R Coupling	2
23	Z01-03-017	1/2" Non Return Valve	1
24	Z01-04-03	1/2" BSP Dowty Washer	12
25	Z38-R2-60-S9	60" St./ 90 3/8" D/W Hose	1
26	Z38-R2-84-S9	84" St./ 90 3/8" D/W Hose	3
29	Z12-R2-108-S9	108" St./ 90 1/2" D/W Hose	1
30	Z38-R2-72-S9	72" St./ 90 3/8" D/W Hose	1
31	Z12-R2-108-S9	108" St./ 90 1/2" D/W Hose	1
32	Z38-R2-48-S9	48" St./90 3/8" D/W Hose	1
33	Z38-R2-36-S9	36 St./ 90 3/8" D/W Hose	1
34	Z38-R2-96-S9	96" St./ 90 3/8" D/W Hose	1
35	Z12-R2-108-S9	108" St./ 90 1/2" D/W Hose	2
37	Z12-R2-24-S9	24" St./90 1/2" D/W Hose	1
38	1208250.SLDPRT	Folw Control Valve complete	1
39	Z38-R2-12-S9	12" S. /90 3/8" D/W Hose	1
40*	Z01-01-AWH	Hydraulic ram assy. C&S	1
41	Z01-15-0815	1/2" Platic cap red	1
42	Z01-15-0881	1/2" Plastic cap blue	1
43	Z01-06-06-08	1/2" x 3/8" Adaptor	2
44	1208300	580 A Control Valve	1

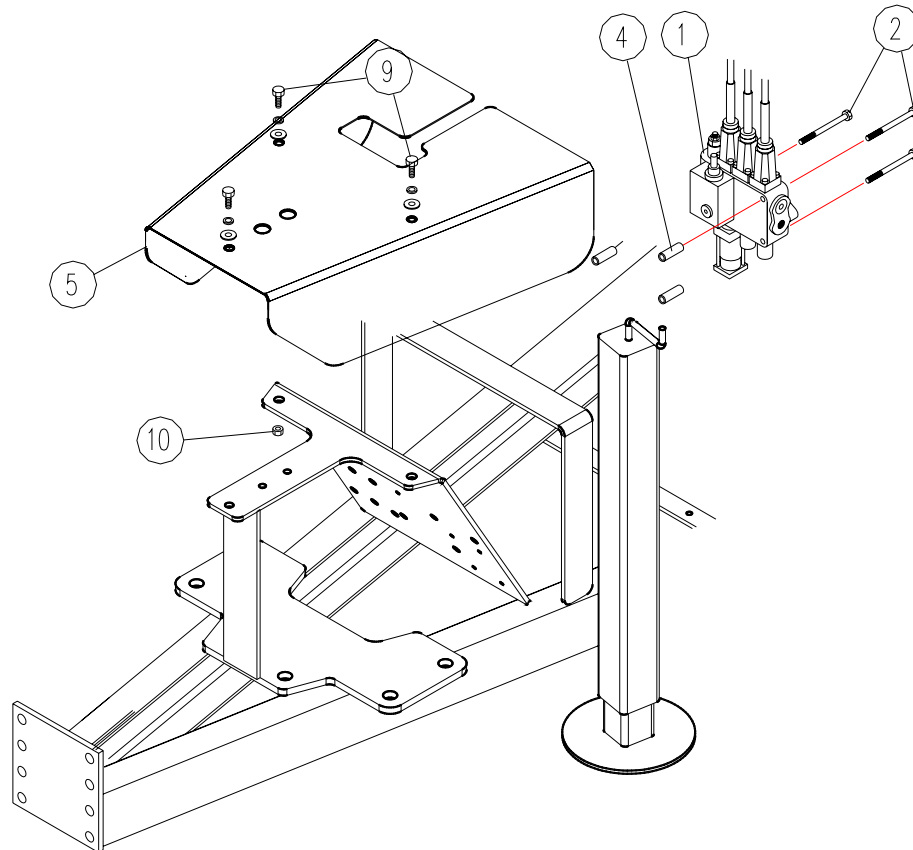
1*	1308071	Filter Element	1
9*	Z01-RF200	Seal kit for motor	1
40*	Z01-01-AWH9	Cylinder C&S only	1



1.3.1 580S VALVE AND COVER PLATE ASSEMBLY

ITEM No.	DESCRIPTION	QTY	PART No.
1.	3 Bank Spool Valve	1	Z01-03-A580
2.	M8 x 100 Hex Bolt	3	Z26-057B
3.	M8 Locknut	3	Z23-08
4.	Spacer	3	WD67-100
5.	580 S Valve Cover Plate	1	1201000
6.	10mm Flat Washer	3	Z10-02-10
7.	10mm Spring Washer	3	Z10-02-10
8.	M10 x 20 Hex Set	1	Z26-060S
9.	M10 x 25 Hex Set	2	Z26-0611S
10.	M10 Hex Nut	2	Z18-10

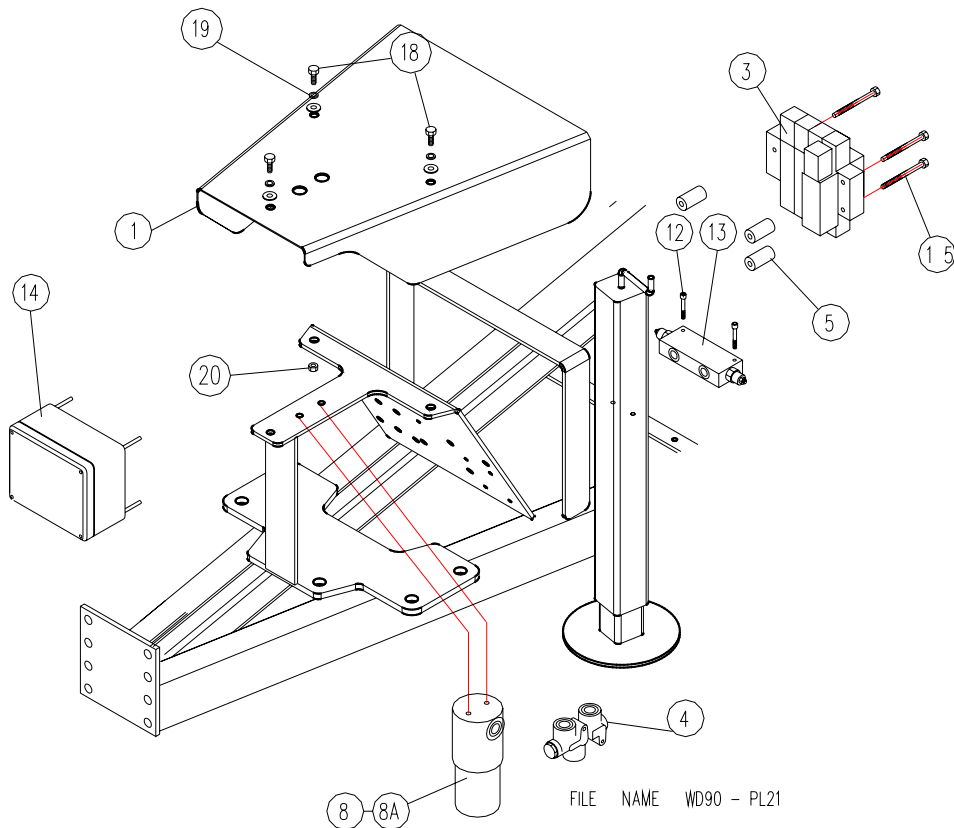
1.5.2



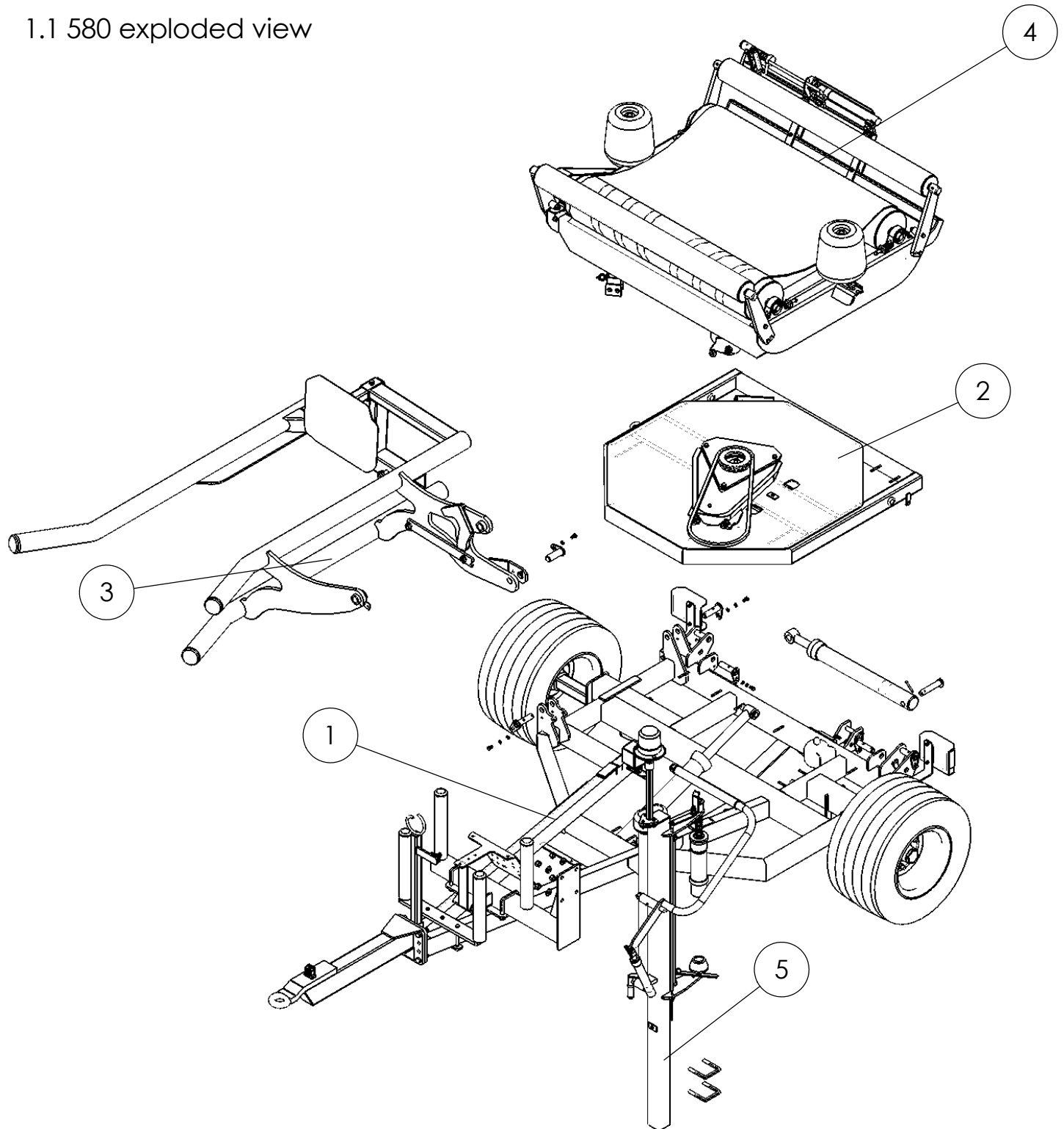
1.3.2 580A VALVE/JUNCTION BOX/FILTER COVER PLATE ASSEMBLY

ITEM No.	DESCRIPTION	QTY	PART No.
1.	Valve Cover Plate Assembly	1	1201007
3.	4 Bank Solenoid Valve	1	Z01-03-A550
4.	Flow Divider	1	Z01-03-10-A6
5.	Spacer	3	WD67-100
6.	8mm Mud flap Washer	2	Z11-02-081
7.	M6 Locknut	2	Z32-06
8.	Oil Filter	1	Z01-24-08
8A.	Oil Filter Element	1	Z01-24-08E
9.	M8 x 25 Hex Set	2	Z26-040S
10.	8mm Spring Washer	2	Z12-02-08
11.	M8 Locknut	3	Z23-08
12.	M6 x 45 Socket Cap Screw	2	Z13-020-50
13.	Over-Centre Valve	1	Z01-03-10-A8
14.	Junction Box	1	1009001
15.	M8 x 100 Hex Set	3	Z26-057S
16.	M5 x 20 Hex Set	2	Z26-017S
17.	M4 Locknut	4	Z23-04
18.	M10 x 20 Hex Set	3	Z26-060S
19.	10mm Spring Washer	3	Z12-02-10
20.	M10 Hex Nut	2	Z18-10
21.	M5 Locknut	2	Z23-05

1.6.2

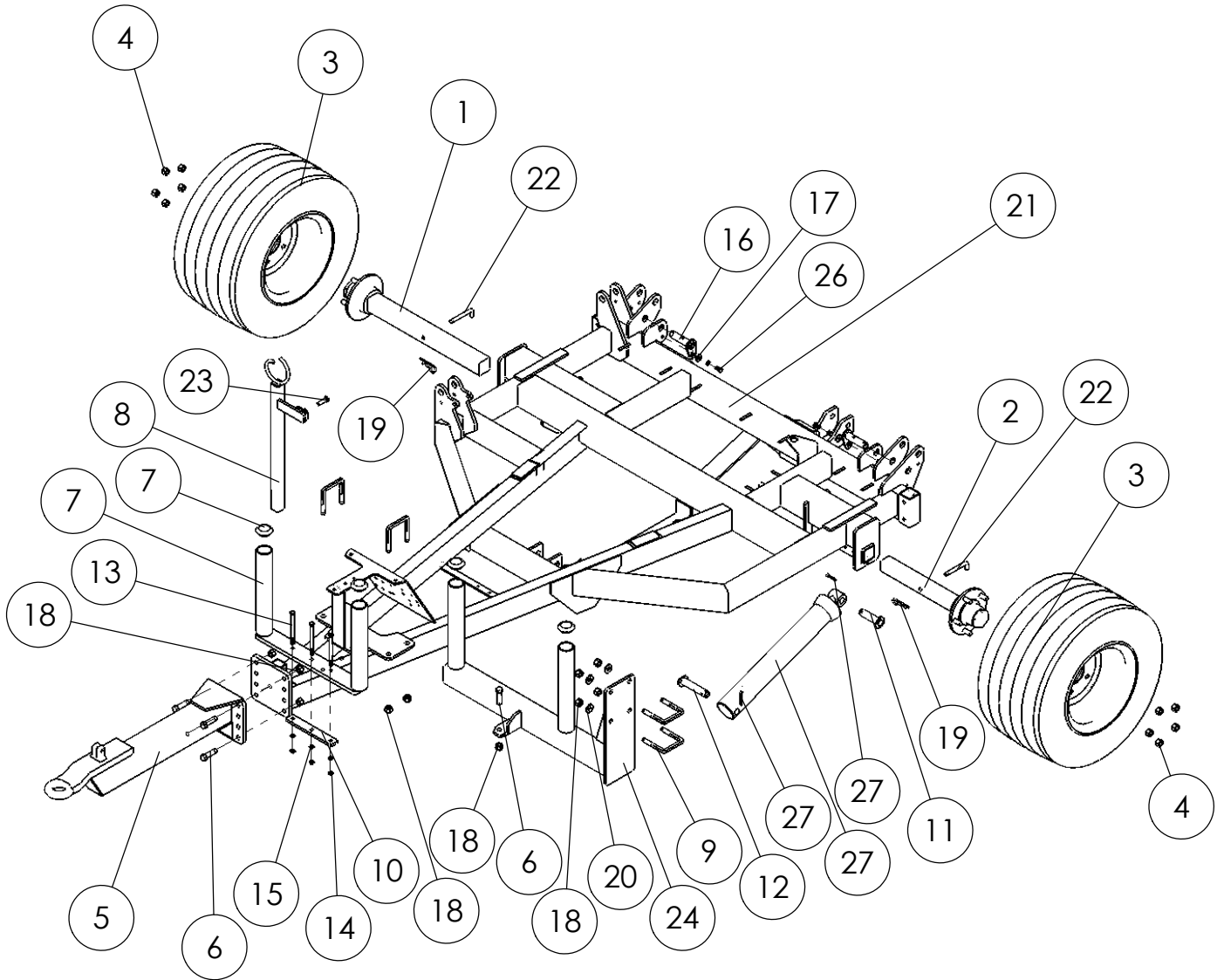


1.1 580 exploded view



ITEM NO.	PartNo	DESCRIPTION	Explode Config./QTY.
1		580 Chassis	1
2		Tipping Frame	1
3		Lift Arm	1
4	See section 4.1	Complete Turntable	1
5	See section 5.1	Film Dispenser	1
28	Z26-060S	M10 x 20 Hex Set	4

4.1 Chassis exploded view

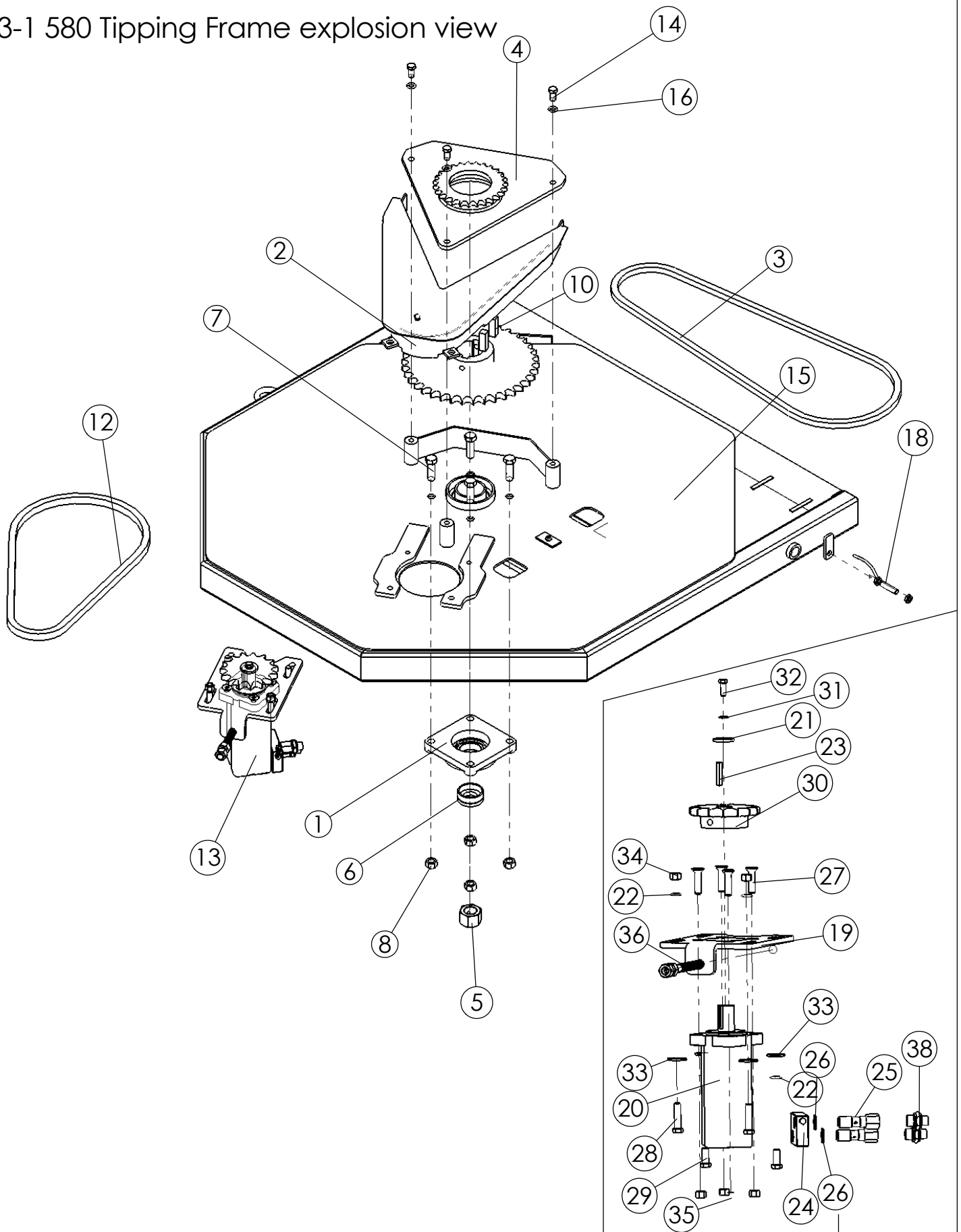




4.2 Chassis part list.

ITEM NO.	PartNo	DESCRIPTION	QTY.
1	Z04-0336	L.H.S Axle	1
2	Z04-032	R.H.S Axle	1
3	Z04-04	Wheel	2
4	M22AWNA	Wheel Nuts	10
5	WD65-HIT	Ring Hitch	1
6	Z26-126S	M16 x 60 HEX SET	5
7	WD60-FTB1	Film mounting bracket	1
8	WD65-HCP	Cable and Hose guide	1
9	Z35-52	"U" Bolt (M.16)	4
10	WD60-933	Clamping plate	1
11	Z03-03-50	Ram Top Pivot Pin	1
12	Z03-02-330	Ram Bottom Pivot Pin	1
13	Z26-0726B	M10 x 140 Hex Bolt	3
14	Z18-10	M10 Hex Nut	3
15	Z12-02-10	10mm Spring Washer	5
16	Z03-01-905	Tipping Frame Pivot Pin c/w Grease Nipple	2
17	Z11-02-10	10mm Flat Washer	2
18	Z23-16	M16 Locknut	13
19	Z36-02	R-Clip (4mm)	2
20	Z12-02-14	14mm Spring Washer	8
21		580 Frame	1
22	Wd60-861	Bissel Pin	2
23	Z26-084S	M12 x 40 Hex Set	1
24	WD67-DMM	Dispenser Mast Mounting Bracket	1
25	Z01-01-AR687	Cylinder	1
26	Z26-060S	M10 x 20 Hex Set	2
27	Z03-21-29	2" x 1/4" Split Pin	2

3-1 580 Tipping Frame explosion view



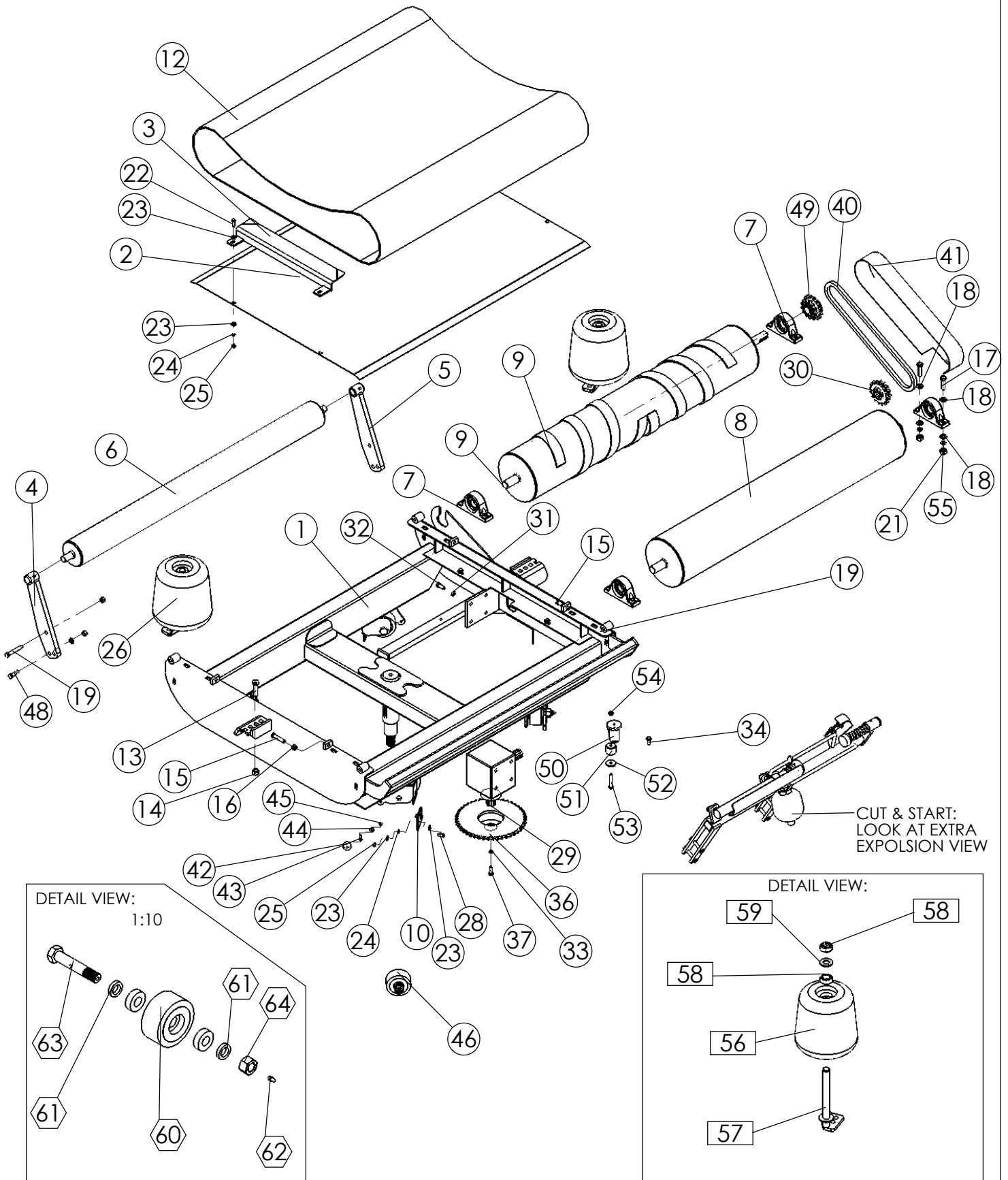


3-2 Tipping Frame Part list.

ITEM NO.	PartNo	DESCRIPTION	QTY.
1	Z06-49EC	2" Flange Bearing c/w Cam Lock Collar	1
2	WD66-DCG	Drive Chain Guard	1
3	Z09-AW-56	Chain 3/4" Pitch x 62 Pitches (inc. Joiner)	1
4	WD64-CSA	Centre Sprocket Assembly 27 Tooth	1
5	WD64-054	1 1/4" UNC Nut	1
6	WD67-SS	Spindle Spacer	1
7	Z31B-064	5/8" x 2" Long UNF Hex Set	4
8	Z20-10	5/8" UNF Locknut	4
9	ZO-D64-38	part5	1
10	WD64-052	Key, 5/8" Sq. x 50mm Long	2
11	WD64-040	Spindle Spacer	1
12	Z06-AW6	Chain 1" Pitch x 54 Pitches	1
13		Motor Drive Assy	1
14	Z26-084S	M12 x 40 Hex Set	3
15	WD67-TF	Tipping Frame Assembly	1
16	Z12-02-12	12mm Spring Washer	3
17	Z40-20	Buffer 56mm dia. X 40 long	1
18	1309202	Sensor	1

ITEM NO.	PartNo	DESCRIPTION	QTY.
19	WD64-001	Hydraulic Motor Mounting Plate	1
20	Z01-02-RF200	Hydraulic Motor	1
21	WD623-071	Retaining Collar	1
22	Z12-02-12	12mm Spring Washer	4
23	WD66-053	Key Steel	1
24	Z01-03-004	Cross line Relief Valve	1
25	Z01-03-002B	1/2" BSP Bottom Banjo Bolt	2
26	Z01-04-03	1/2" BSP Dowty Washer	4
27	Z13-5-12 x 50	M12 x 50mm Allen Hd. Csk. Set	4
28	Z26-086S	M12 x 50 Hex Set	2
29	Z26-082S	M12 Hex HD Set x 30mm Long	2
30	Z06-I60-046	part5	1
31	Z12-02-10	10mm Spring Washer	1
32	Z27-023S	3/8" x 1" Long UNC Hex Set	1
33	Z11-02012	12mm Flat Washer	4
34	Z18-12	M 12 Hex Nut	2
35	Z23-12	M12 Locknut	4
36	W64-038	M16 Threaded Bar x 165 Long	1
37	Z18-16	M16 Hex Nut	4
38	Z01-06-06-08	1/2" x 3/8" Adaptor	2

4.1 Turntable exploded view





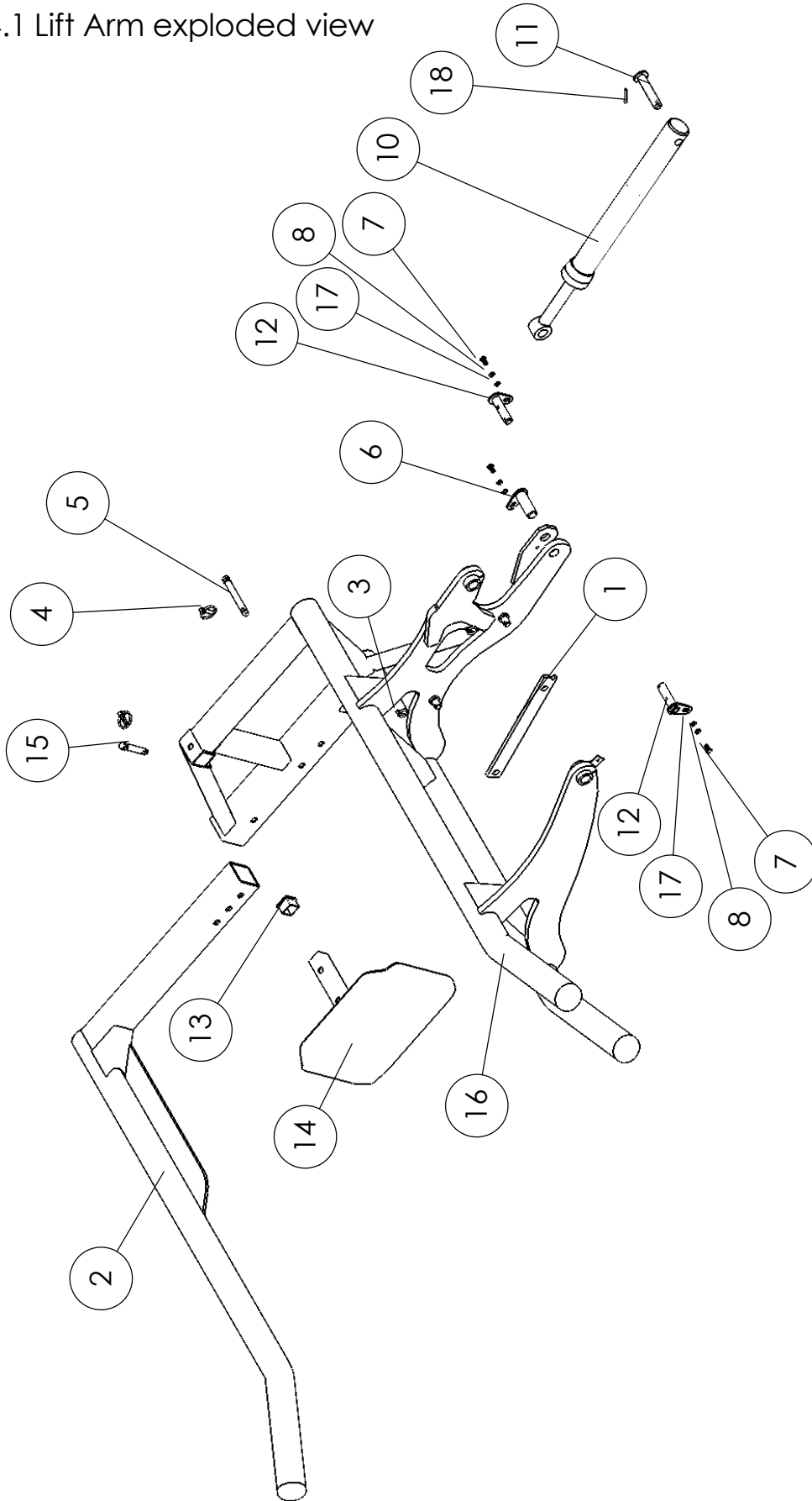
4.2 Turntable part list.

ITEM NO.	PartNo	DESCRIPTION	QTY.
1	WD67-TA	Turntable Welded Assembly	1
2	WD66-024	Turntable Cover Plate	1
3	WD66-BG	Belt Guide Assembly	2
4	WD66-RMB2	Roller Mounting Bracket	2
5	WD66-RMB1	Roller Mounting Bracket	2
6	WD66-SMR	4 " Roller assy	2
7	Z06-485	1 1/4" Pillow Block Bearing c/w Cam Lock	4
8	WD66-BRI	Idler Roller	1
9	WD66-BRD	Drive Roller	1
10	WD60-711	Rubber Scrapper	2
11	1203500	Cut and Start	1
12	Z05-0ZAW96	6mm Flat Belt 1200 Widex2475 Long	1
13	Z26-126S	M16 x 60 HEX SET	2
14	Z23-16	M16 Locknut	2
15	Z26-088S	M12x60 Hex Set	4
16	Z18-12	M 12 Hex Nut	4
17	Z26-104B	M 14x50 Hex Bolt	8
18	Z11-02-14	14mm Flat Washer	16
19	Z26-0901B	M12 x 80 Hex Bolt	4
20	Z23-12	M12 Locknut	8
21	Z18-14	M14 Hex Nut	8
22	Z26-041S	M8 x 30 Hex Set	4
23	Z11-02-081	8mm Mud Washer	16
24	Z12-02-08	8mm Spring Washer	8
25	Z18-08	M.8 Hex Nut	8
26	See Below	End Roller assy	2
27	Z10-02-12	M. 12 Flat Washer	4
28	Z26-039S	M.8 X 20 HEX SET	4
29	Z01-25-300	Gear Box	1
30	Z06-D65-1316 S	13/16 double simplex sprocket	1
31	Z12-02-12	12mm Spring Washer	4
32	Z26-082S	M12 Hex HD Set x 30mm Long	4
33	Z12-02-10	10mm Spring Washer	4
34	Z26-0611S	M10 x 25 Hex Set	1
35	WD67-127	Chain Stripper	1
36	Z06-D64-46S	46 tooth sprocket	1
37	Z26-062S	M10 Hex HD Set x 30mm Long	2
38	Z13-112	M10 Cup SQ. Screw x 30mm Long	1
39	Z18-10	M10-Hex Nut	1
40	Z09-AW-3	Chain 3/4 Pitch x 62 Pitches (inc. Joiner)	1
41	WD67-cgc	Chain cover	1
42	D6043	Magnet	2
43	Z13-132	M6 x 35 Csk. Hd. Set	2
44	Z11-02-06	6mm Mud Washer	2
45	Z23-06	M6 lock nut	2
46	Z06-466W-assy	4 " Wheel assy.	4
47	WD66-ERM	End Roller Mounting	1
48	Z26-084S	M12 x 40 Hex Set	4
49	Z06-D64-1316K	Sprocket Double Simplex 13T/16T Keyed	1
50	Z06-454	Rosta Tensioner	1
51	WD60-CT	Chain Tensioner	1
52	WD623-071	Retaining Collar	1
53	Z26-0671B	M 10 x 65 Hex. Bolt	1
54	Z23-10	M 10 Locknut	1
55	Z12-02-14	14mm Spring Washer	8
56	WD66-053	Key Steel	1

End Roller Sub-assembly			
ITEM NO.	PART NUMBER	DESCRIPTION	Default/QTY.
56	Z06-AWR	End Roller	1
57	Wd66-ERM	End Roller Mounting	1
58	Z06-AWRB93	bearing (6305 2RS)	2
59	WD60-292	Thrust Washer	1

4" Wheel sub-assembly			
ITEM NO.	PartNo	DESCRIPTION	Default/QTY.
60	Z06-466W	4 " wheel	1
61	WD67-101	Spacer	2
62	34061915	Grease Nipple	1
63	Z03-22-AW-AX	4 " wheel Axle	1
64	Z23-20	M16 hex nut	1

4.1 Lift Arm exploded view

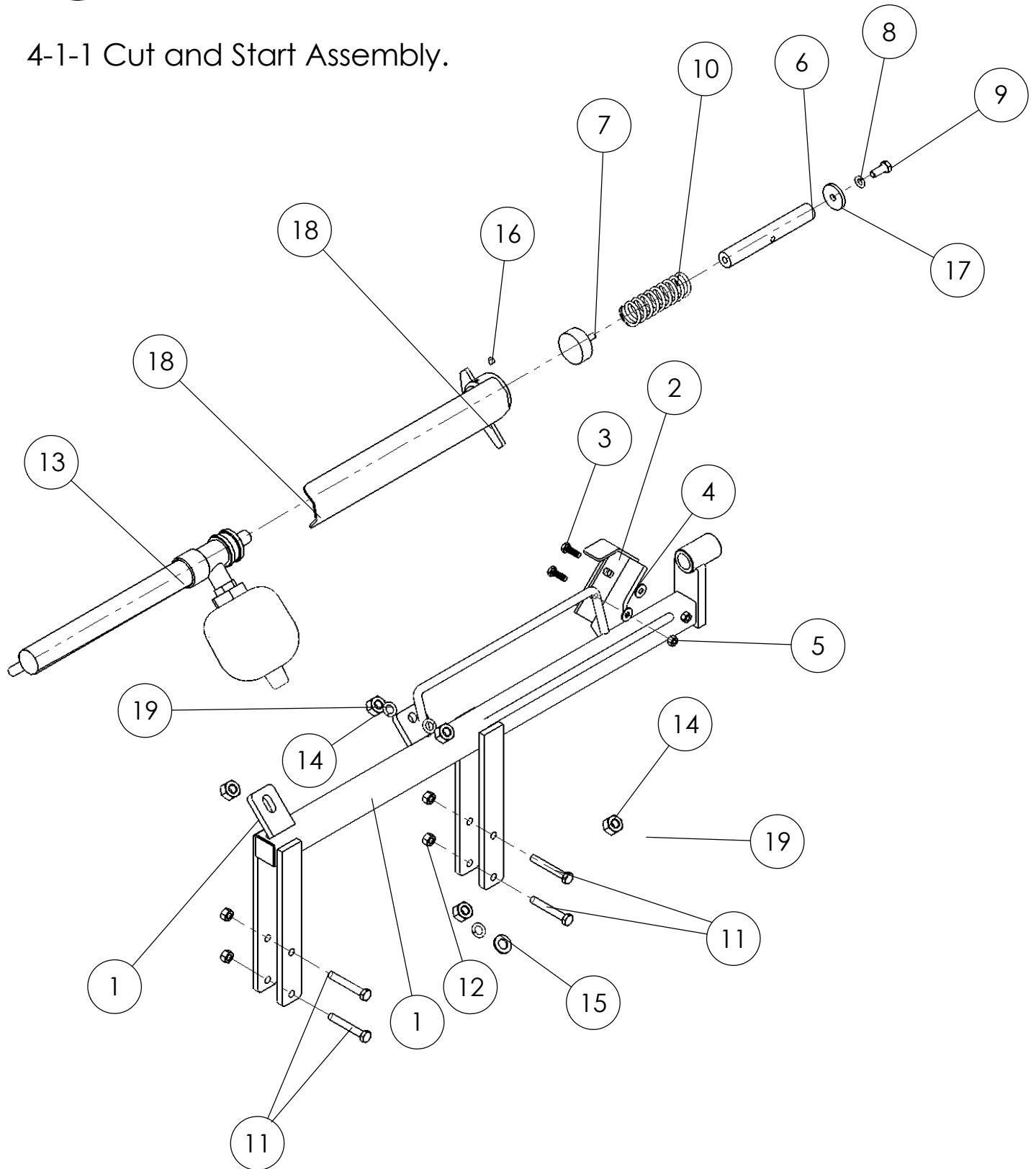




4.2 Lift Arm part list.

ITEM NO.	PartNo	DESCRIPTION	Expl. Config./QTY.
1	WD60-319	Safety Support Bar	1
2	WD60-LAAA	Adjustable Outer Arm Assembly	1
3	Z03-22-03	6mm Dia. Linch Pin	2
4	Z03-22-06	7/16" Dia. Linch Pin	2
5	Z03-04-77	Sparex Pin	1
6	Z03-D66-90	Ram Top Pivot Pin	1
7	Z26-060S	M10 x 20 Hex Set	3
8	Z12-02-10	10mm Spring Washer	3
9	WD67-CHA	Chassis Assembly	1
10	Z01-01-AW1070	Hydraulic Ram (Lift Arm)	1
11	Z03-02-330	Ram Bottom Pivot Pin	1
12	Z03-01-905	Tipping Frame Pivot Pin c/w Grease Nipple	2
13	Z32-10	Plastic Cap	1
14	WD60-LAS	Adjustable Bale Stop	1
15	Z03-04-73	Sparex Pin	1
16	WD60-LA2	Lift Arm Assembly	1
17	Z11-02-10	11mm Washer	3
18	Z03-21-29	2" x 1/4" Split Pin	1

4-1-1 Cut and Start Assembly.

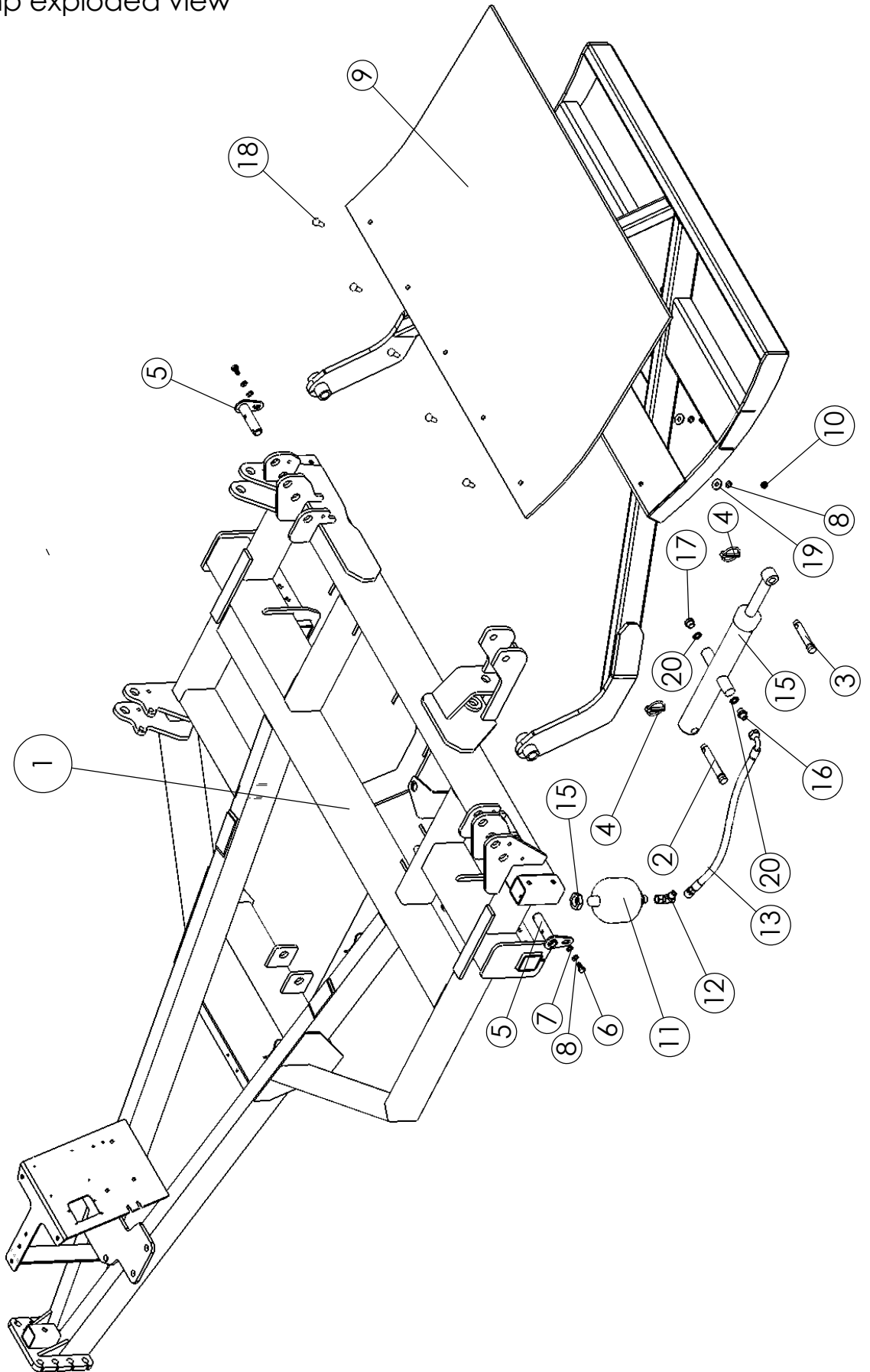




4-1-1 Cut and Start assembly.

ITEM NO.	PartNo	DESCRIPTION	QTY.
1	WD605H-MF	Cut & start frame	1
2	WD605-104	C & S Blade	1
3	Z26-040S	M8 x 25 Hex Set	2
4	Z11-02-081	8mm Mud Washer	2
5	Z23-08	M8 Lcoknut	2
6	WD605H-13	Plunger	1
7	Z40-28	Rubber Buffer	1
8	Z12-02-10	10mm Dia Spring Washer	1
9	Z26-0611S	M10x 25 Hex Set	1
10	Z07-49	Spring	1
11	Z26-069B	M10 x 75 Hex Bolt	4
12	Z23-010	M14 Hex Nut	4
13	Z01-01-AWH	Hydraulic ram assy.	1
14	Z18-14	M14 Hex Nut	5
15	Z11-02-14	14mm Flat Washer	1
16	Z28-008	M8 x 25 Hex Set	1
17	WD623-071	Retaining Collar	1
18	WD605H-15	C&S Cover Assy.	1
19	Z12-02-14	14mm Spring Washer	3

5.1.1 Bale Ramp exploded view

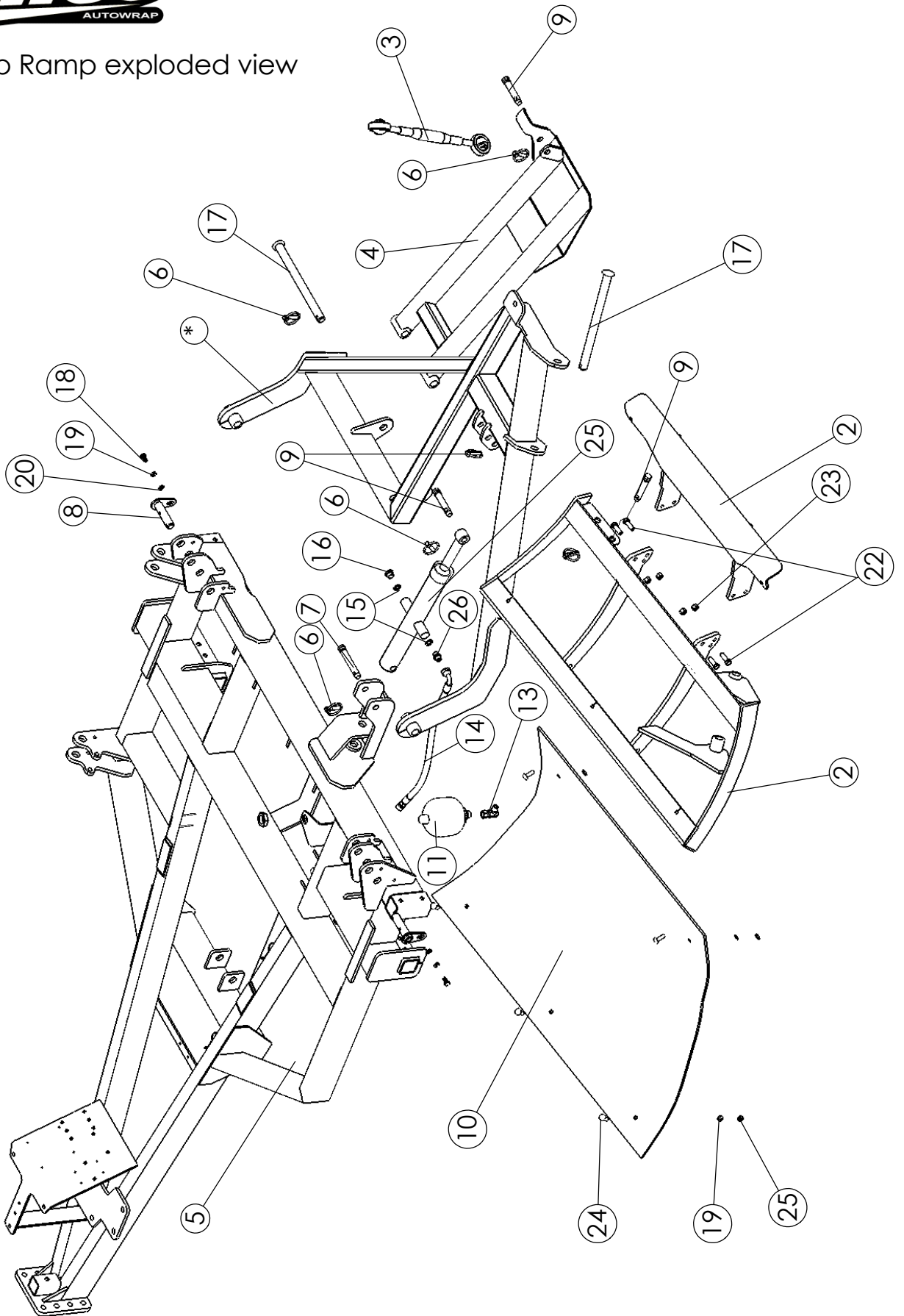




5.1.2 Bale Ramp part list.

ITEM NO.	PartNo	DESCRIPTION	EXPL.Config./QTY.
1		580 Frame	1
2	Z03-04-74	Sparex Pin	1
3	Z03-04-73	Sparex Pin	1
4	Z03-22-06	7/16" Dia. Linch Pin	2
5	Z03-01-905	Tipping Frame Pivot Pin c/w Grease Nipple	2
6	Z26-060S	M10 x 20 Hex Set	2
7	Z11-02-10	11mm Washer	2
8	Z12-02-10	10mm Spring Washer	7
9	Z05-02-BRM	Bale Mat	1
10	Z18-10	M10 Hex Nut	5
11	Z01-01-AWDA	accumulator	1
12	Z01-14-015	3/8" Male/Female 90 Elbow	1
13	Z01-01-AWDH	Hose for above assembly	1
14	Z01-01-AWDC	Hydraulic Ramp Cylinder	1
15	Z001-243	M28 x 1.5 Pitch Hex Nut	1
16	Z01-06-06-06	3/8" x 3/8" BSP Male/ Male Adaptor	1
17	Z01-06-MB08	1/2" Male Blank	1
18	Z13-112	M10 x 30 Cup Hd. Sq. Set	5
19	Z11-02-101	10mm Mud Flap Washer	5
20	Z01-04-02	3/8" BSP Dowty Washer	2
21	1206100	Hydraulic Bale Ramp	1

4.1 End Tip Ramp exploded view



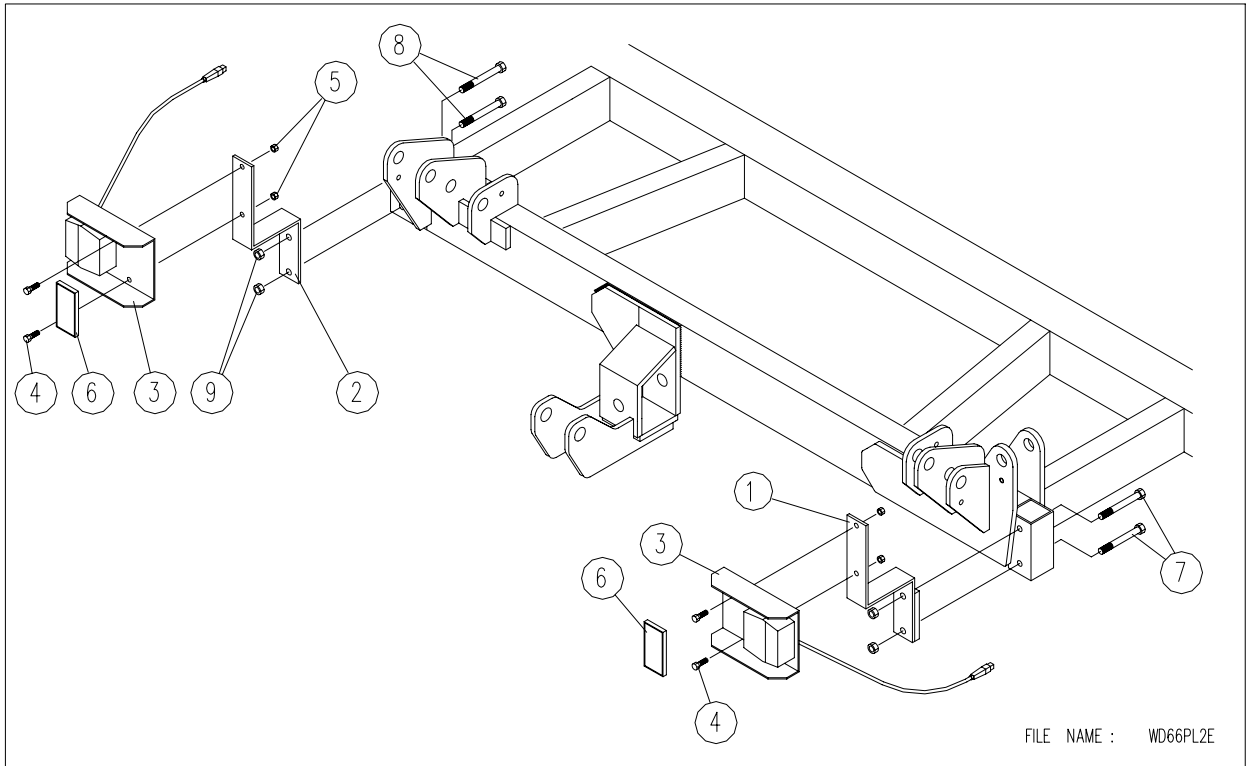


4.2 End Tip Ramp part list.

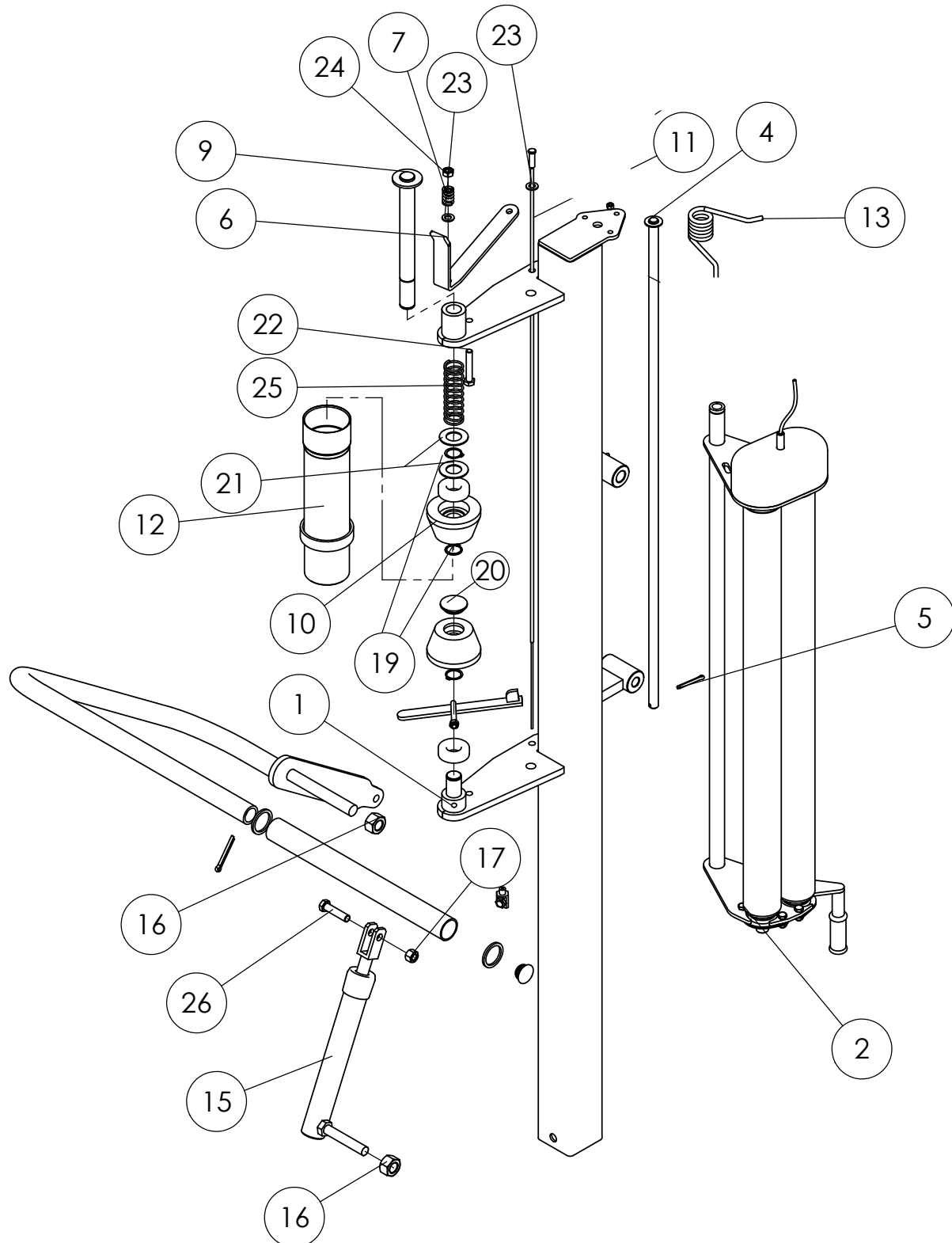
ITEM NO.	PartNo	DESCRIPTION	Expl. Config/QTY.
1		End Tip Main Frame	1
2	1206700	End tip Cradle	1
3	1206650	Top link Short	1
4	1206800	Skid Frame	1
5		580 Frame	1
6	Z03-22-06	7/16" Dia. Linch Pin	6
7	Z03-04-74	Sparex Pin	1
8	Z03-01-905	Tipping Frame Pivot Pin c/w Grease Nipple	2
9	Z03-04-73	Sparex Pin	3
10	Z05-ETM	Bale Mat	1
11	Z01-01-AWDA	accumulator	1
12	Z001-243	M28 x 1.5 Pitch Hex Nut	1
13	Z01-14-015	3/8" Male/Female 90 Elbow	1
14	Z01-01-AWDH	Hose for above assembly	1
15	Z01-04-02	3/8"BSP Dowty Washer	2
16	Z01-06-MB08	1/2" Male Blank	1
17	1206616	End tip pin long	2
18	Z26-060S	M10 x 20 Hex Set	2
19	Z12-02-10	10mm Spring Washer	7
20	Z11-02-10	11mm Washer	2
21	Z01-01-AWDC	Hydraulic Ramp Cylinder	1
22	Z26-083B	M12 x 35 Hex Set	4
23	Z23-12	M12 Locknut	4
24	Z13-112	M10 x 30 Cup Hd. Sq. Set	5
25	Z18-10	M10 Hex Nut	5
26	Z01-06-06-06	3/8" x 3/8" BSP Male/ Male Adaptor	1
27	12067750	Cradle End Stop	1

6.1 LIGHTING KIT

ITEM No.	DESCRIPTION	QTY	PART No.
	Lighting Kit Complete	1	Z05-30
1.	Light Mounting Bracket R.H.S.	1	WD60-LMB
2.	Light Mounting Bracket L.H.S.	1	WD60-899
3.	Light Cluster	2	Z01-30LP
4.	M8 x 25 Hex Set	4	Z26-040S
5.	M8 Locknut	4	Z23-08
6.	Reflector	2	Z04-621
7.	M12 x 100 Hex Bolt	2	Z26-092B
8.	M12 x 90 Hex Bolt	2	Z26-091B
9.	M12 Locknut	4	Z23-12



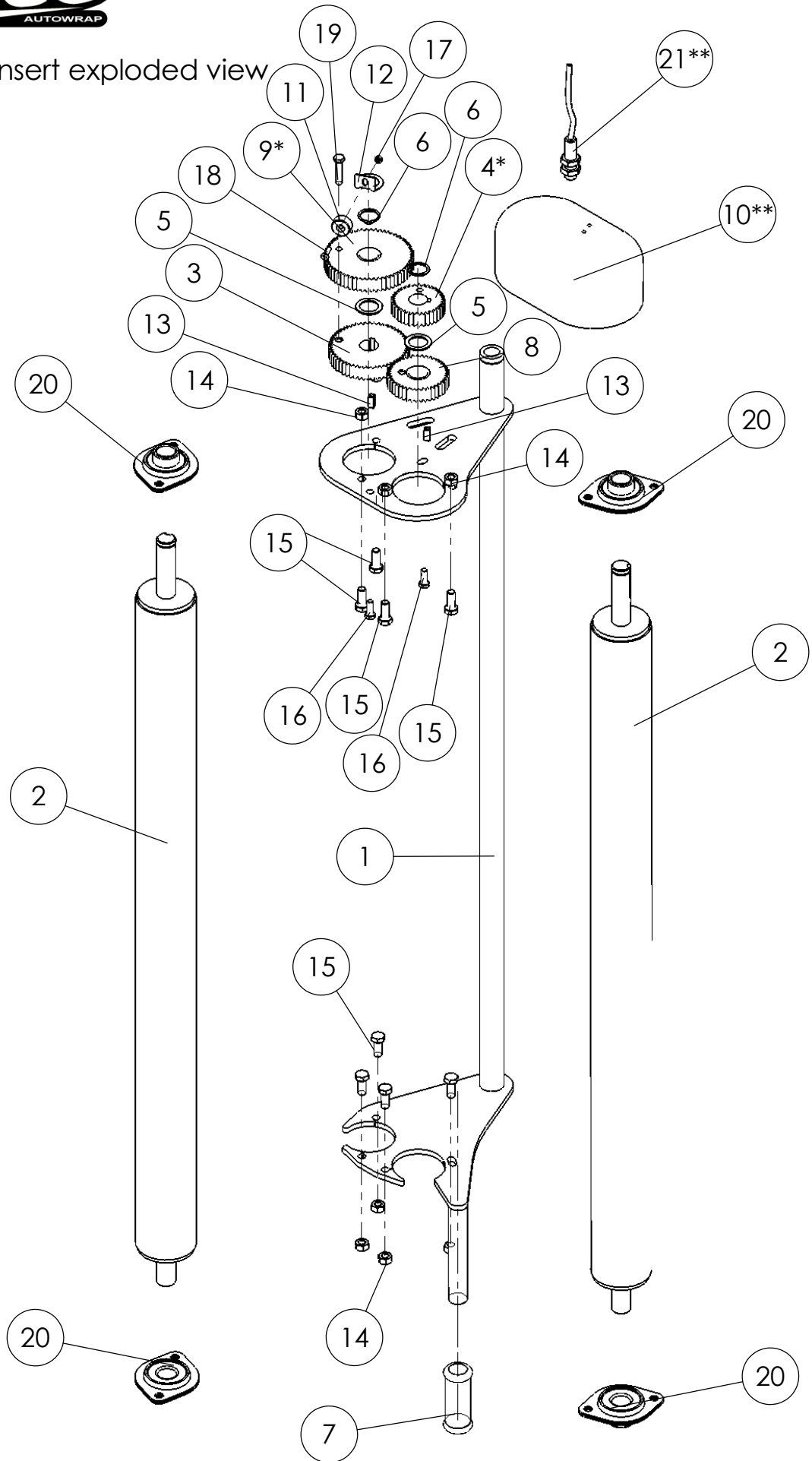
7.1.1 Dispenser Mast explosion view



7.1.2 Dispenser Mast part list

ITEM NO.	PartNo	DESCRIPTION	QTY.
1	WD90-DMA	Dispenser mast frame	1
2	1205100	Dispenser Insert	1
3	1305010	Bottom latch	1
4	1305030	Pivot pin	1
5	1305033	Split pin	1
6	WD13-006	Top latch	1
7	1305027	Top Latch Spring	1
8	1305016	Bottom cone	1
9	1305022	Top shaft	1
10	1305019	Upper cone	1
11	Z003-1200	Latch release wire kit	1
12	WD60-FA	Film adaptor	1
13	1305034	Torsional Spring	1
14	WD617-FPDA	Film Pull down arm assembly	1
15	Z01-01-AW25	Hydraulic Ram (pull down)	1
16	Z30-20	M20 Locknut	2
17	Z23-12	M12 Locknut	1
18	1305015	Bearing	2
19	1305017	Cir-clip 25mm	3
20	1305018	Plastic cap 1 1/4"	1
21	1305020	25mm dia.flat washer	2
22	Z26-067B	60 Hex bolt	1
23	Z11-02-11	M10 flat washer	2
24	Z23-10	M10 Lock Nut	1
25	1305022	Spring	1
26	Z26-086S	M12 x 50 Hex Set	1
27		Beacon assy	1
28	Z20-40	Rubber Buffer	3
29	Z23-06	M6 lock nut	6

4.1 Dispenser Insert exploded view





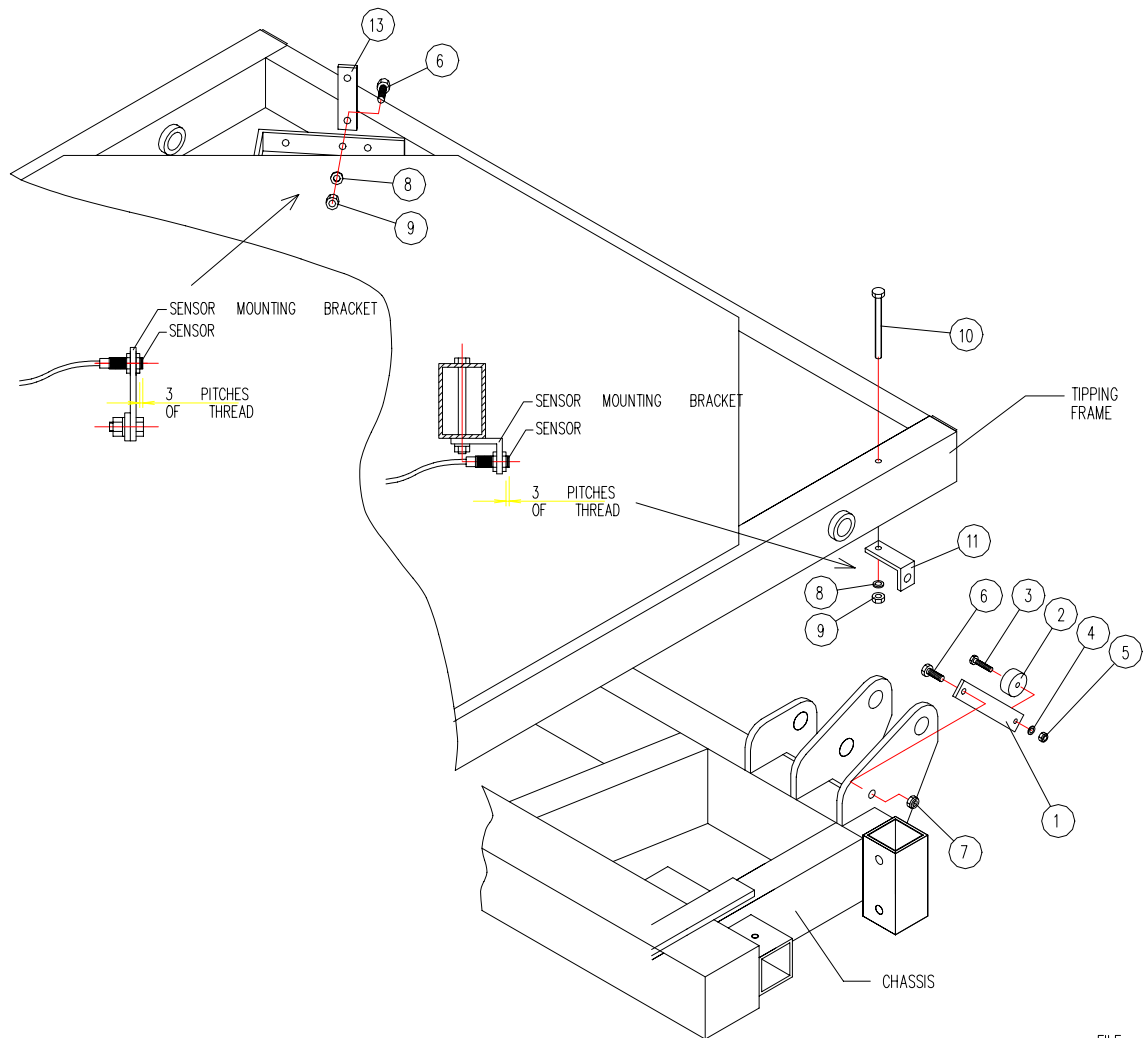
4.2 Dispenser Insert part list.

ITEM NO.	PartNo	DESCRIPTION	WD13-DFA/QTY.
1	1205100	Dispenser Insert Frame	1
2	1305120	Long Inner Roller	2
3	1305101	60 t gear	1
4*	1305102	35 t gear	1
5	1305115	copper Washer	2
6	1305124	20mm external cir-clip	2
7	Z32-16	Plastic hand grip	1
8	1305106	41 tooth Enduro gear	1
9*	1305101	60 tooth stretch gear (70%)	1
10**	1305125	Dispenser Gearbox cover	1
11	D606C-SM1	Magnet	1
12	WD404-052	FB Magnet mount	1
13	1305123	6mm square key steel	2
14	Z23-08	M8 Locknut	8
15	Z26-039S	M8 x 20 Bolt	8
16	Z26-018S	M6 x 16mm bolt	2
17	Z23-04	M4 Locknut	1
18	Z13-125	M4 x 20 countersunk screw	1
19	Z26-0225	M6 x 30 bolt	1
20	Z06-17	Bearing	4
21**	1309202	Sensor	1

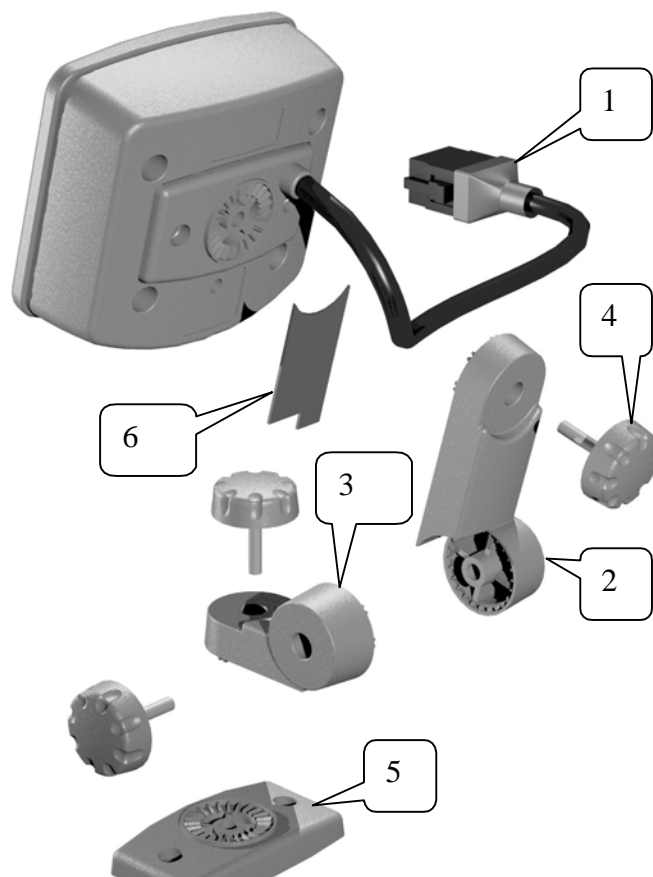
*	Optional 55% Stretch Gears
**	Optional Film Break Sensor

8.1. SENSOR AND MAGNET MOUNTING BRACKETS

ITEM No.	DESCRIPTION	QTY	PART No.
1.	Magnet Mounting Bracket	1	WD605-165
2.	Magnet	1	ZD605-200
3.	M6 x 30 Hex Set	1	Z26-022S
4.	6mm Flat Washer	2	Z12-02-06
5.	M6 Locknut	2	Z23-06
6.	M8 x 25 Hex Set	2	Z26-40S
7.	M8 Locknut	1	Z23-08
8.	8mm Spring Washer	2	Z12-02-08
9.	M8 Hex Nut	2	Z18-08
10.	M8 x 100 Hex Set	1	Z26-057S
11.	Sensor Mounting Bracket	1	WD608-58
12.	Sensor Mounting Flat	1	WD605-164

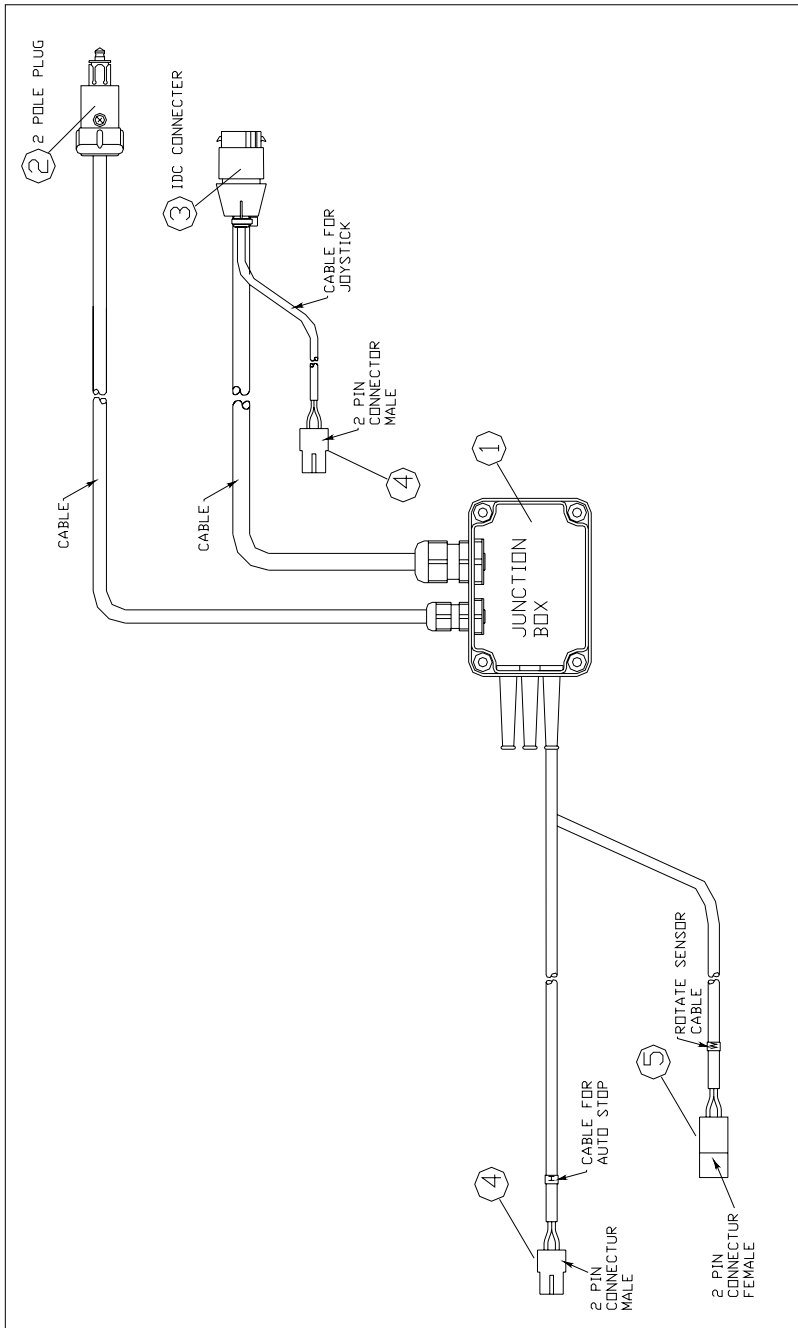


8.2.1 580S / 404 M / S -RDS Bale Wrap Counter



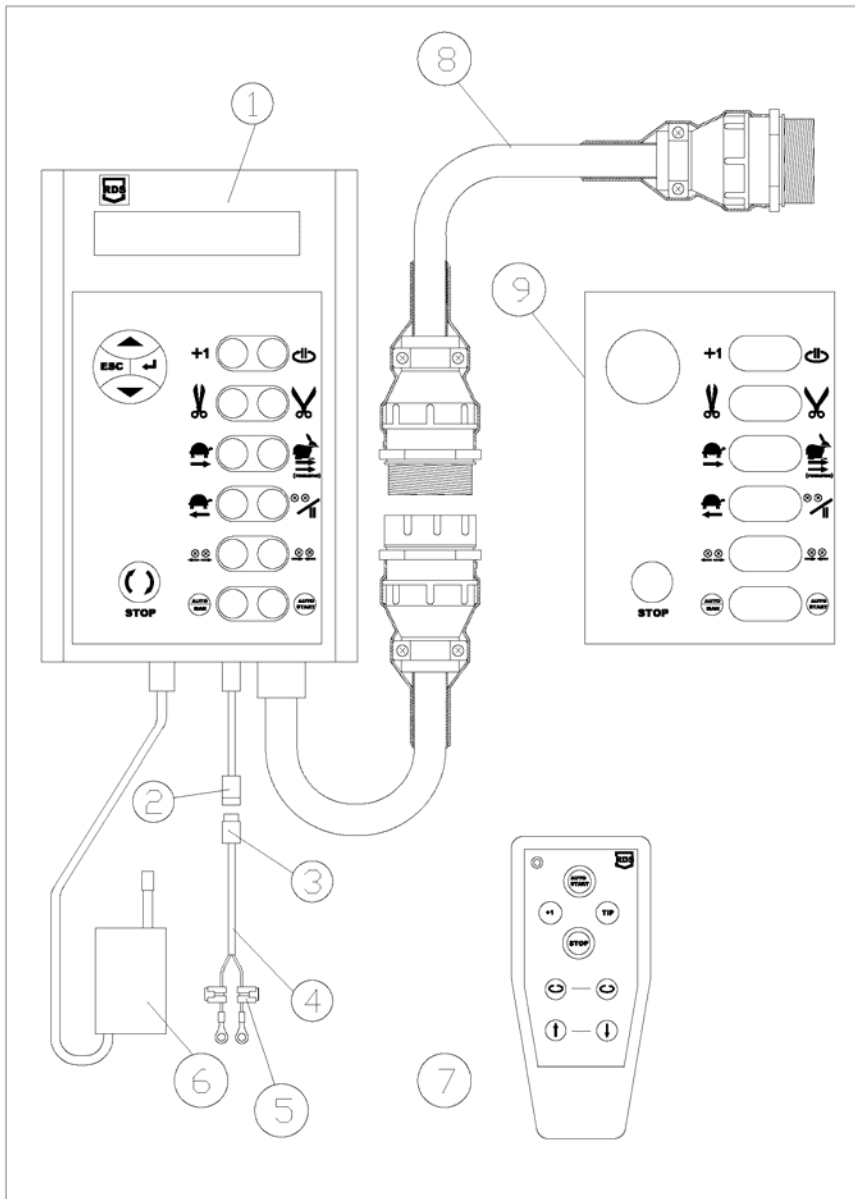
Item	Part No.	Qty.	Description
	1009200		RDS BWC
1	1009201	1	Square MultiPin Male Plug
2	1009202	1	Vertical adjustable bracket
3	1009203	1	Horizontal bracket
4	1009204	3	M 4 Screw
5	1009205	1	Base
6	1009206	1	Plastic Cover

8.2.2 580S/ 404 M/S Junction box



ITEM NO.	QTY.	PART NO.	DESCRIPTION
1	1	1009207	Junction Box Complete
2	1	D606R-PC	Power Connector
3	1	1009209	Connector(Square) Socket
4	2	1309010	2 Pin Connector Male
5	2	1309009	2 Pin Connector Female

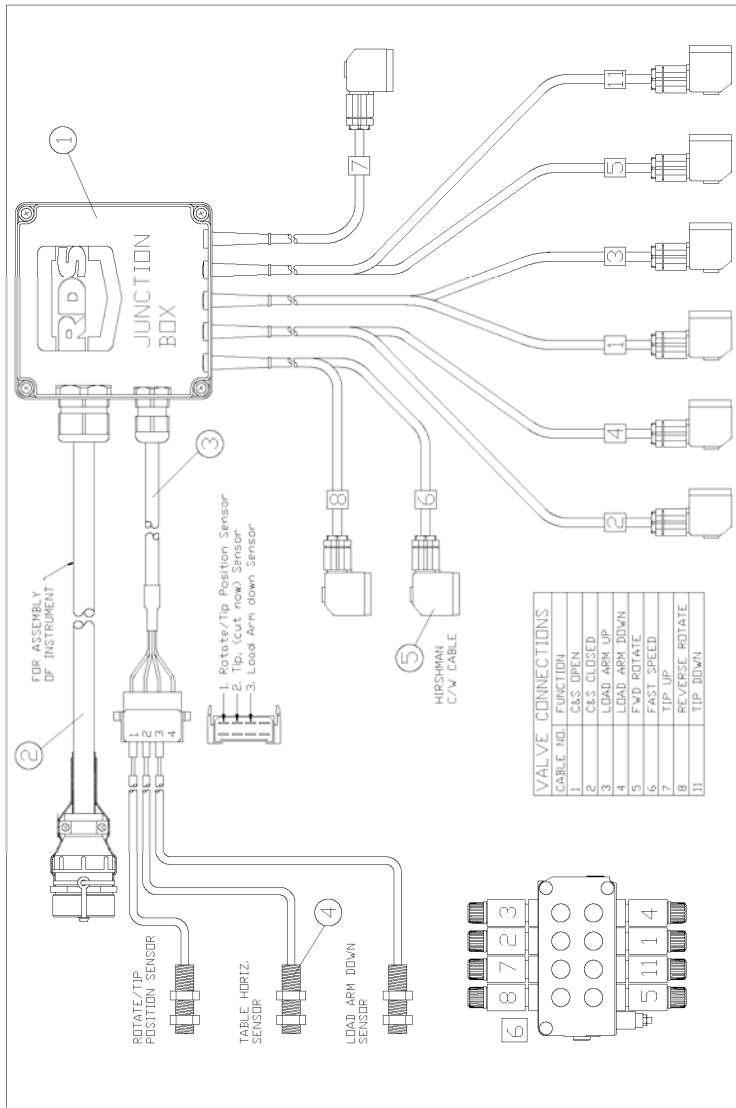
8.3.1 580A /404EH Controller



ITEM	PART NO.	QUANTITY	DESCRIPTION
1	1209003	1	TW Control Unit
2	1309017	1	2 pin connector Female + 2 spade pins
3	1309010	1	2 pin connector male + 2 female pins
4	1309007	1	Battery cable 3m
5	ZD606-100	1	20 amp blade fuse
6*	1109011	Option	RF Reciever
7*	1109012	option	RF Transmitter
8	1309005	1	Com cable 3 m
	1209004		TW Faceplate RDS
	1309009	1	Controller mounting bracket EH
	1309012	1	Controller suction cup



580A / 404EH JUNCTION BOX



ITEM NO.	QTY.	PART NO.	DESCRIPTION
1	1	1009001	Junction Box Complete
2	1	1309003	Communication Cable
3	1	1009003	Sensor Cable
4	3	1009002	Sensor (3m)
5	9	1309005	Hirschmann, c/w Cable & gland